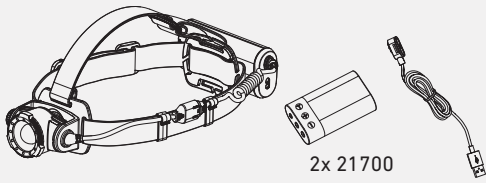
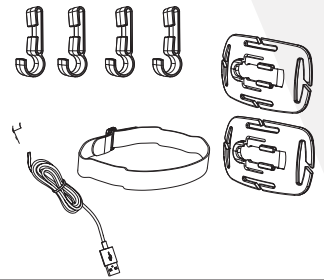
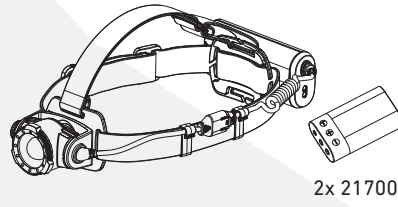


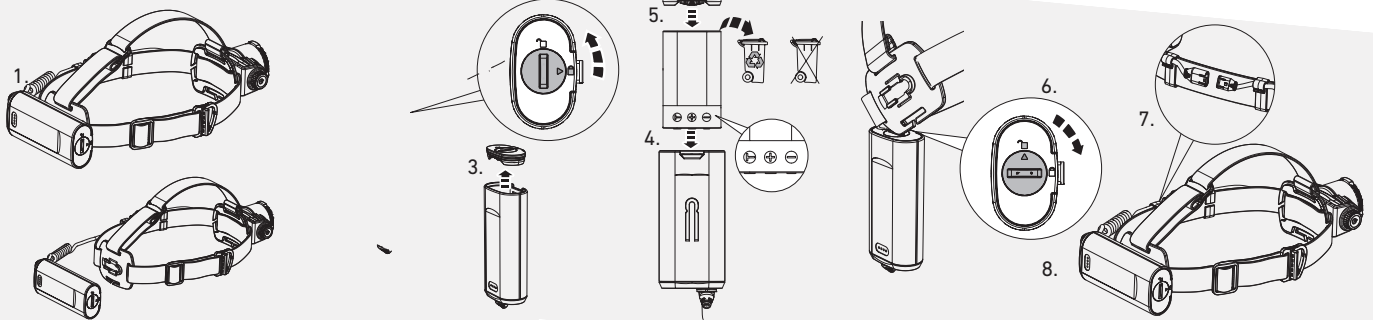
H15R Core



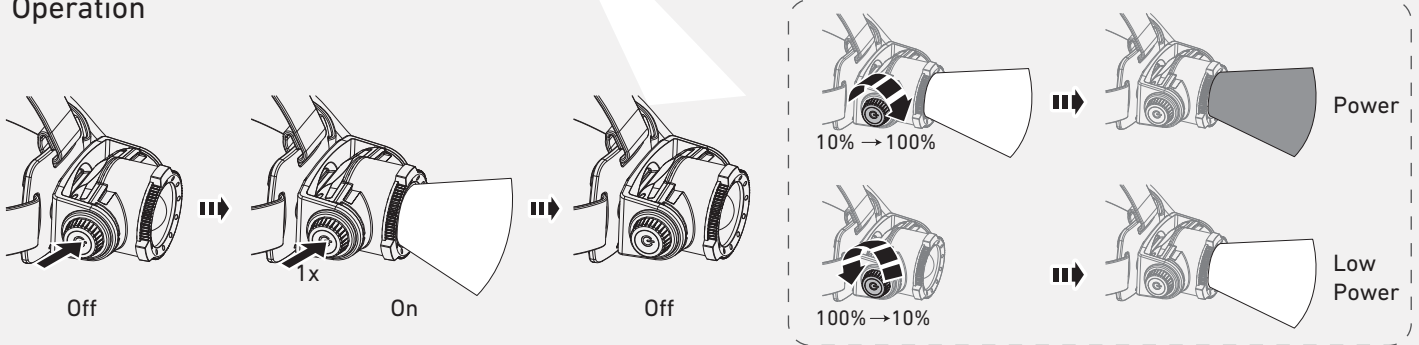
H15R Work



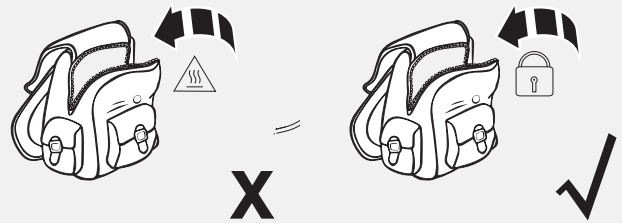
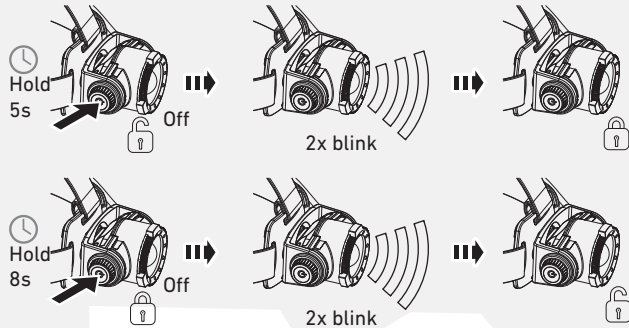
Battery Replacement



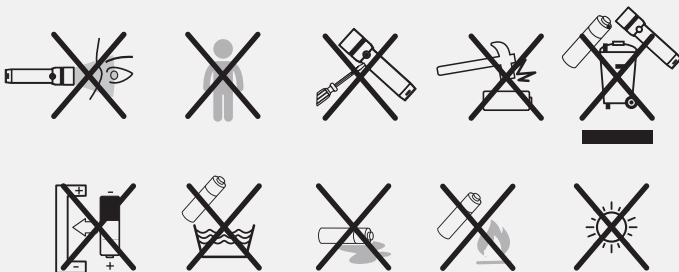
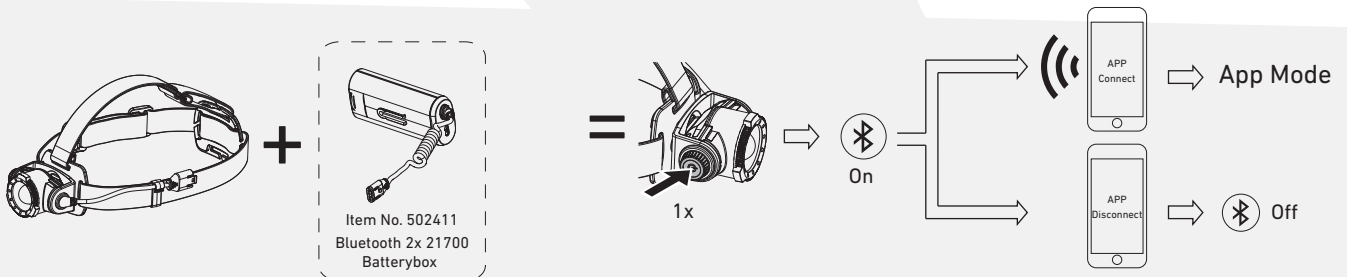
Operation



Transportation Lock



App Mode



Ledlenser GmbH & Co. KG
 Kronenstr. 5-7 • 42699 Solingen • Germany
 Phone +49 212/5948-0 Fax +49 212/5948-200
 info@ledlenser.com

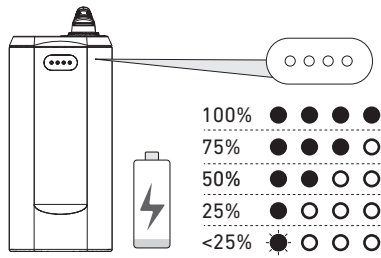


ledlenser.com

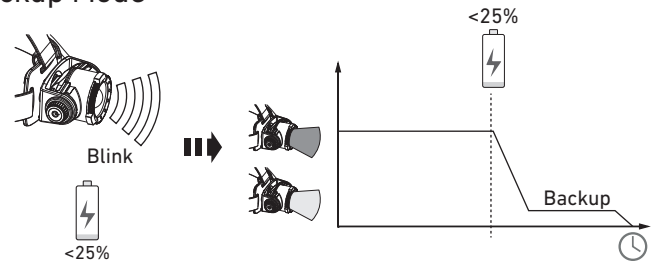


H15R_V.01
 10.06.2020
 1J12A0342

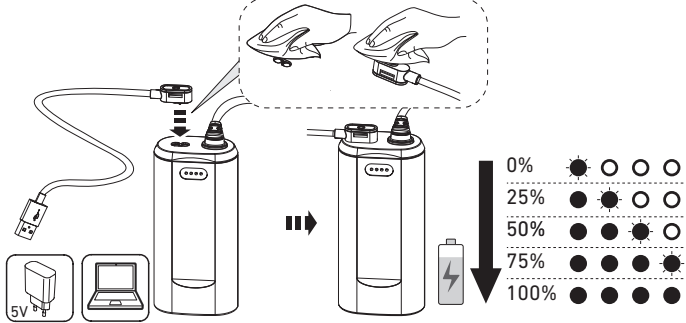
Battery Indicator



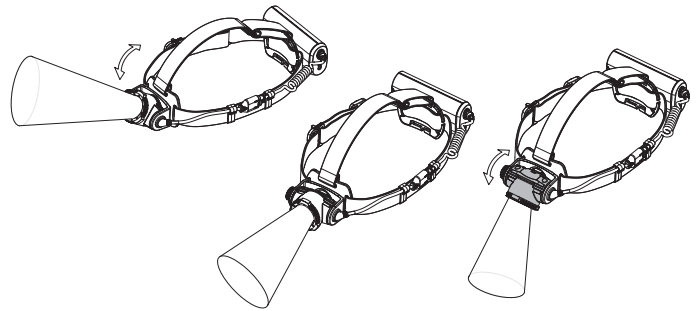
Backup Mode



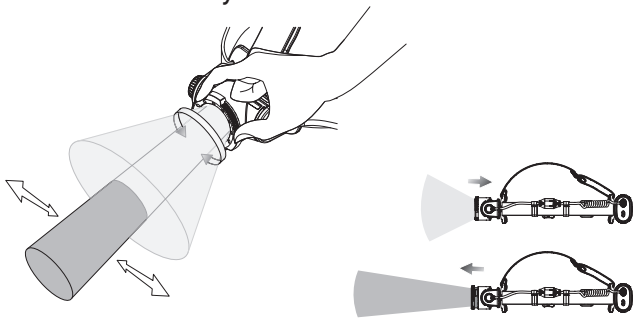
Magnetic Charging System



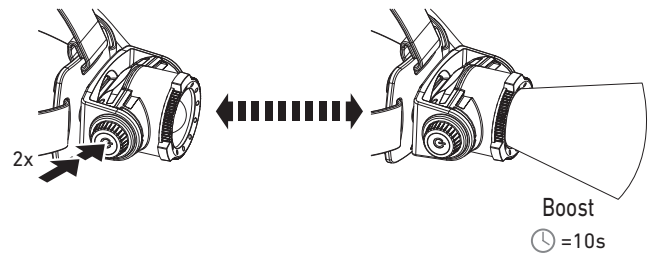
Lamp Head Rotation



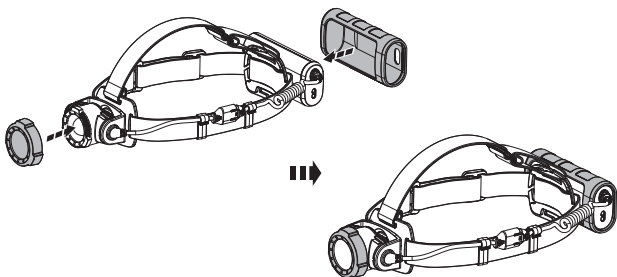
Advanced Focus System



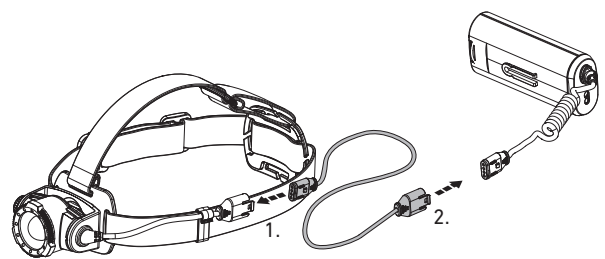
Boost



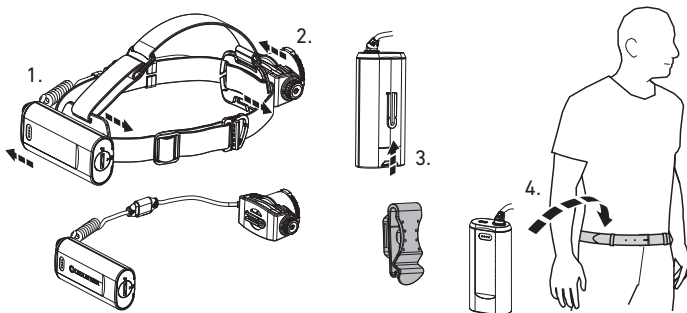
Protective Covers (H15R Work)



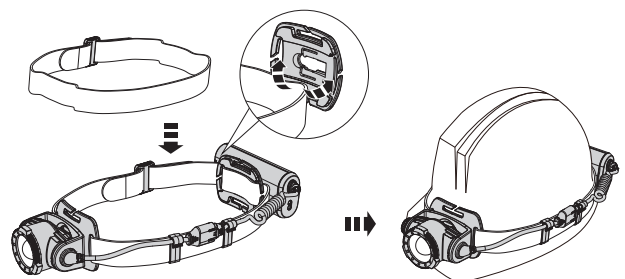
Extension Cable (H15R Work)



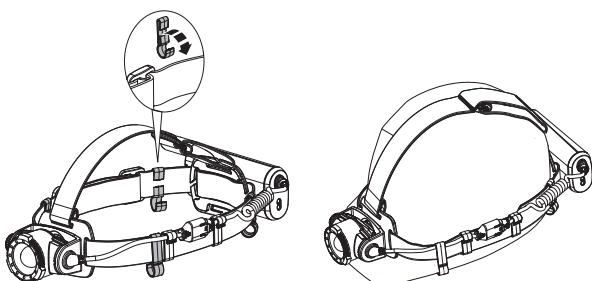
Belt Clip (H15R Work)



Transparent Silicone Helmet Band (H15R Work)



Helmet Fixing Clips (H15R Work)



Further Information

